

46T/48T Cassette Sprocket Installation For Shimano MTB 11Speed XT M8000 Only

Requires removal of the 19T or 17T cog & spacer from your cassette to use this cassette sprocket.

48T: *(11-13-15-19-21-24-28-32-36-42-Spacer-48T) or *(11-13-15-17-21-24-28-32-36-42-Spacer-48T)

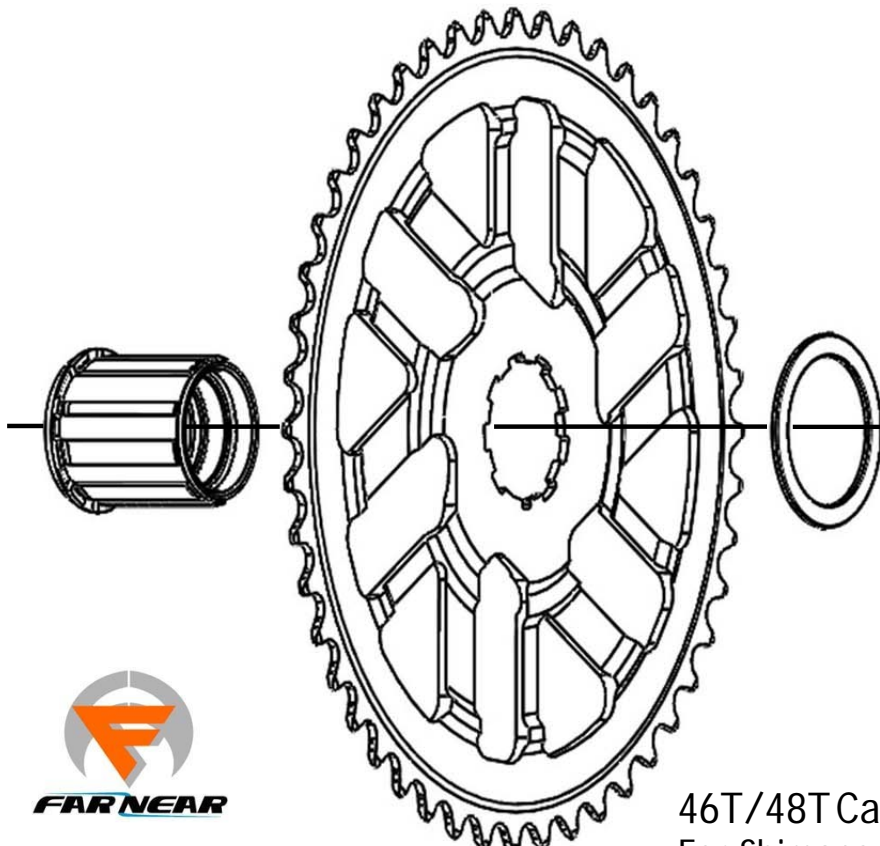
46T: *(11-13-15-19-21-24-28-32-36-40-Spacer-46T) Or *(11-13-15-17-21-24-28-32-36-40-Spacer-46T)

*(11-13-15-19-21-24-28-32-36-42-Spacer-46T) Or *(11-13-15-17-21-24-28-32-36-42-Spacer-46T)

If you add 18T cogs, you will remove both the 17 & 19T cogs. Cassette Progression will be:

*(11-13-15-18-21-24-28-32-36-42-Spacer-48T)

*(11-13-15-18-21-24-28-32-36-40-Spacer-46T) Or *(11-13-15-18-21-24-28-32-36-42-Spacer-46T)



46T/48T Cassette Sprocket Installation For Shimano MTB 11Speed XT M8000 Only

Requires removal of the 19T or 17T cog & spacer from your cassette to use this cassette sprocket.

48T: *(11-13-15-19-21-24-28-32-36-42-Spacer-48T) or *(11-13-15-17-21-24-28-32-36-42-Spacer-48T)

46T: *(11-13-15-19-21-24-28-32-36-40-Spacer-46T) Or *(11-13-15-17-21-24-28-32-36-40-Spacer-46T)

*(11-13-15-19-21-24-28-32-36-42-Spacer-46T) Or *(11-13-15-17-21-24-28-32-36-42-Spacer-46T)

If you add 18T cogs, you will remove both the 17 & 19T cogs. Cassette Progression will be:

*(11-13-15-18-21-24-28-32-36-42-Spacer-48T)

*(11-13-15-18-21-24-28-32-36-40-Spacer-46T) Or *(11-13-15-18-21-24-28-32-36-42-Spacer-46T)